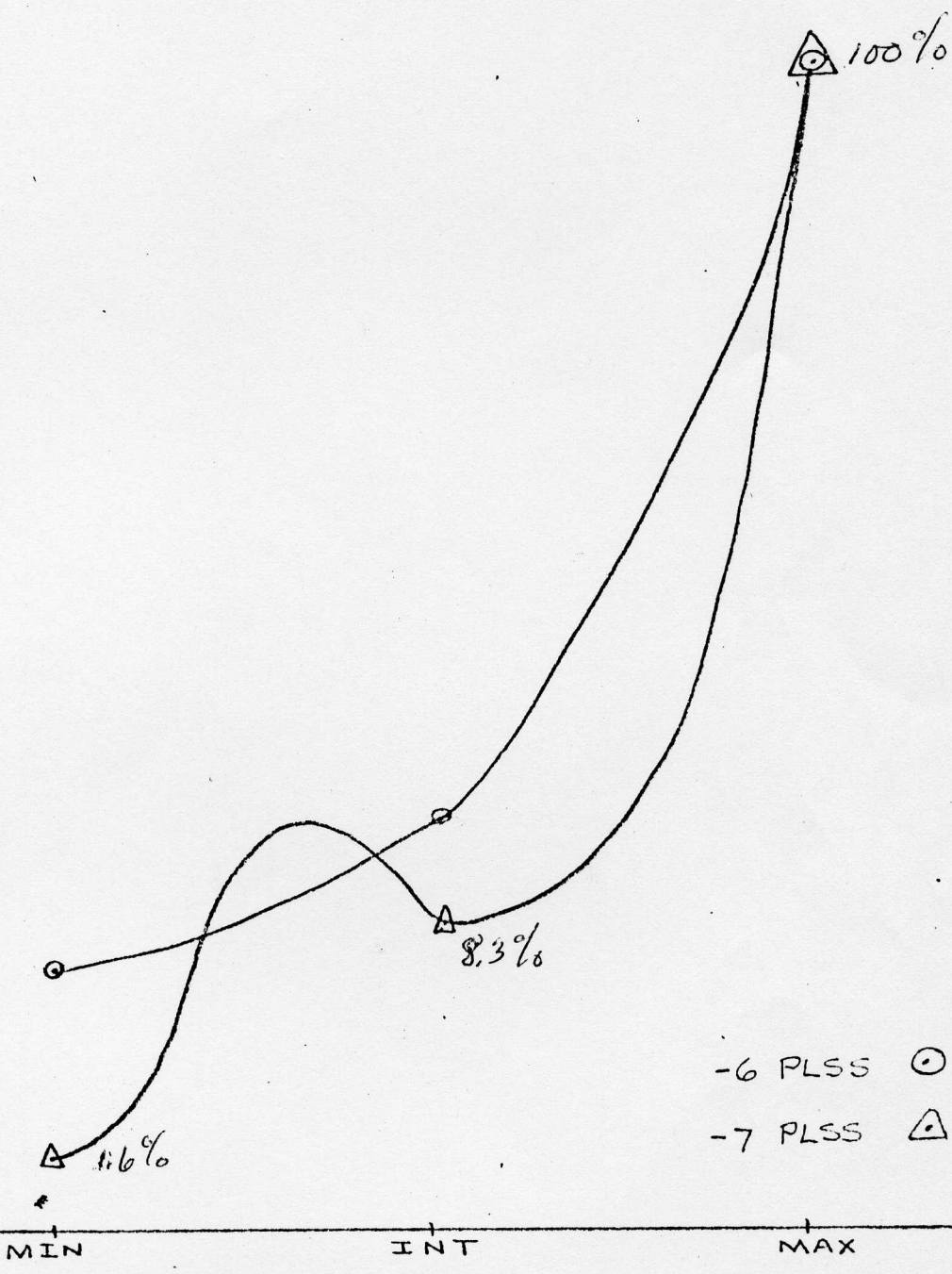


COOLING



-6 PLSS ○  
-7 PLSS △

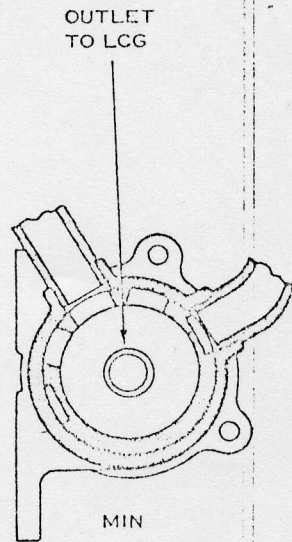
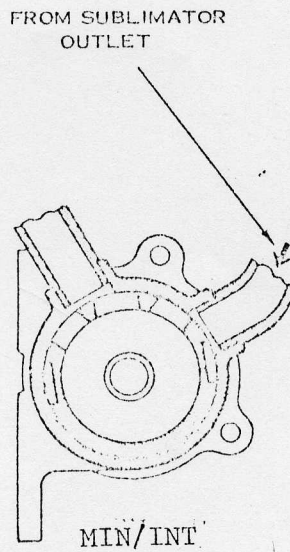
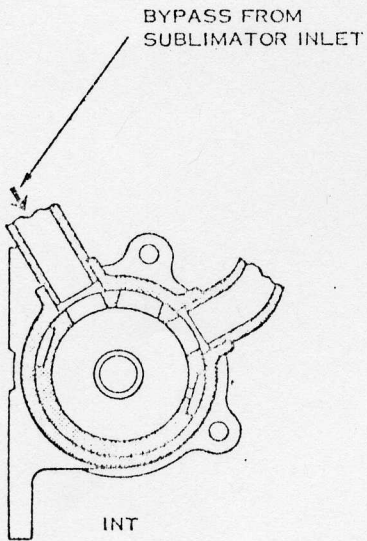
MIN

INT

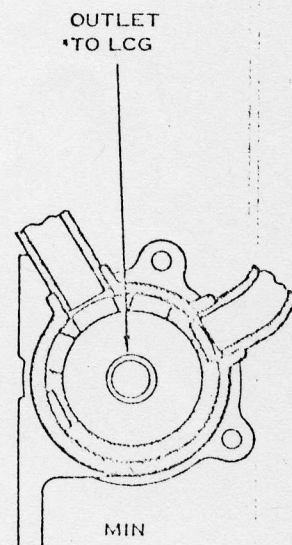
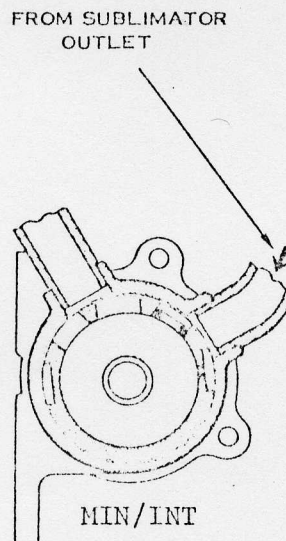
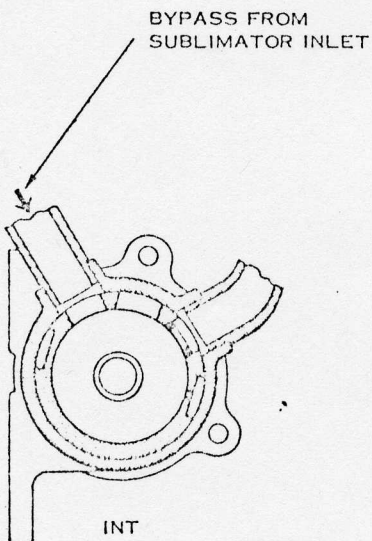
MAX

DIVERTER VALVE POSITION

COMPARISON OF MIN/INT POSITION FOR -6 AND -7 PLSS

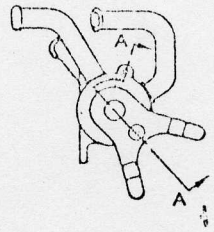
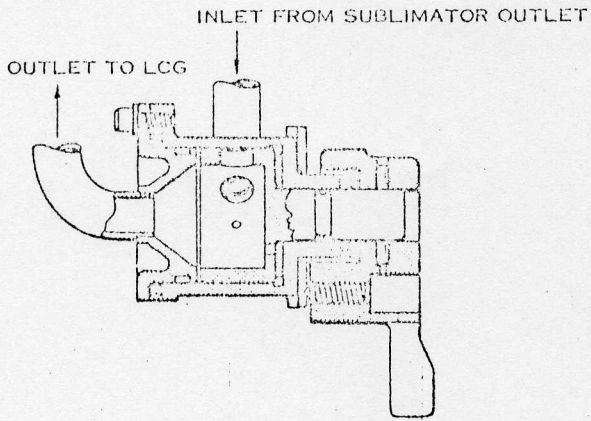


-6 PLSS



-7 PLSS

COMPARISON OF DIVERTER VALVES FOR -6 AND -7 PLSS



SECTION OF DIVERTER VALVE SHOWING SPOOL

