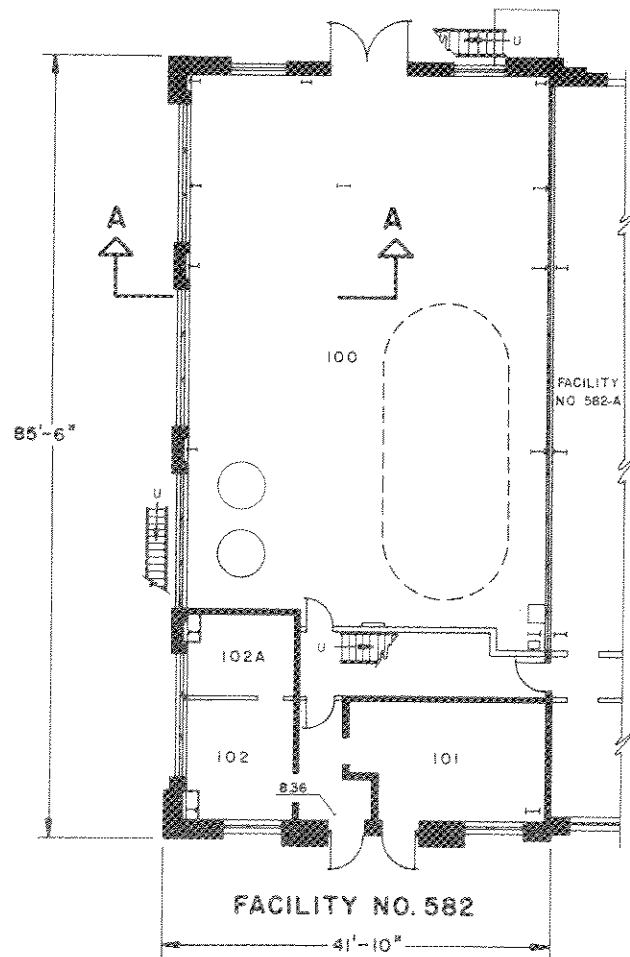
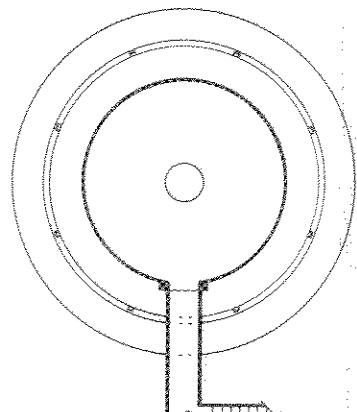
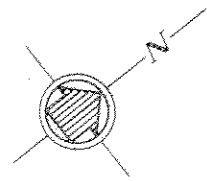
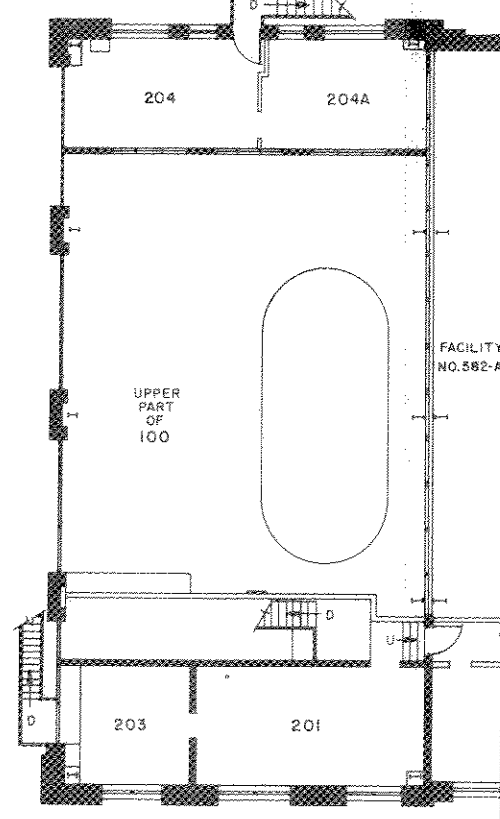


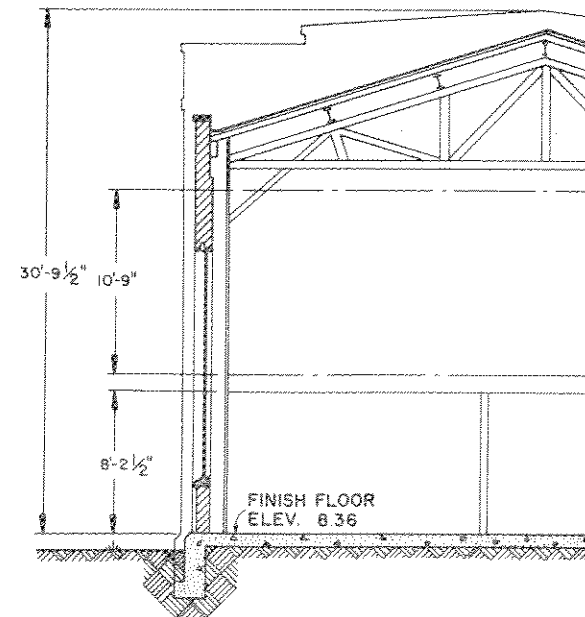
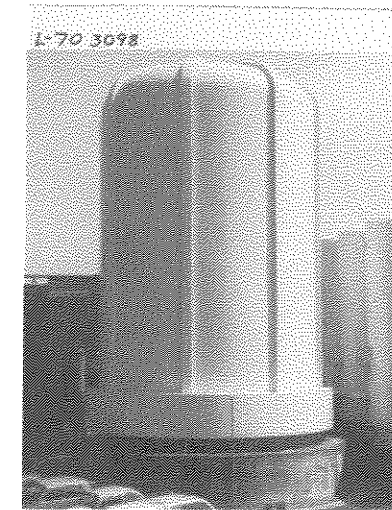
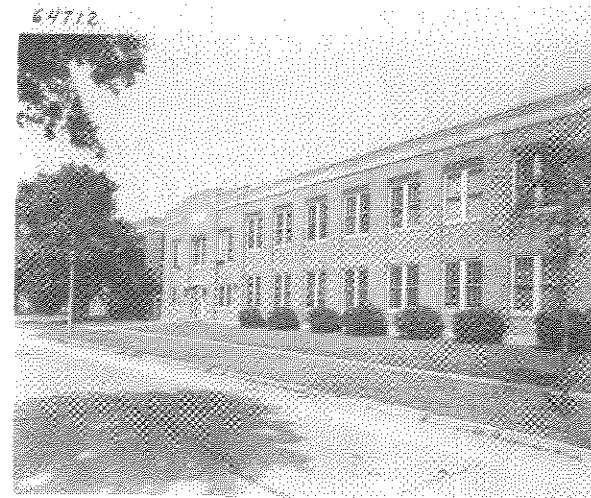
FACILITY NO. 585



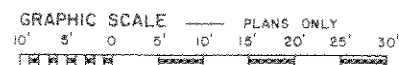
FIRST FLOOR PLAN
3,577 SQ. FT.



SECOND FLOOR PLAN
1,657 SQ. FT.



SECTION A-A



ORIGINAL CONSTRUCTION: 582 AUGUST 1921
585 JUNE 1934

REVISED JUL 12, 78--VALUE ENGR CO
E.C. BURT JR. NASA TRCO

| | |
|---|---|
| LANGLEY RESEARCH CENTER | E |
| COMPRESSOR BUILDING FOR BUILDING 585 AND 6-INCH X 19-INCH TRANSONIC TUNNEL FACILITY NO. 582 AND NO. 585 | |