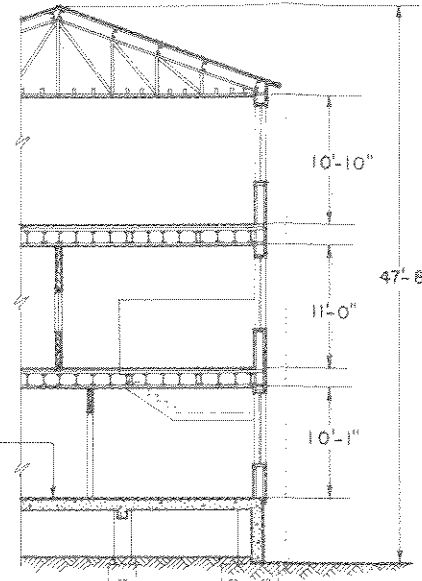
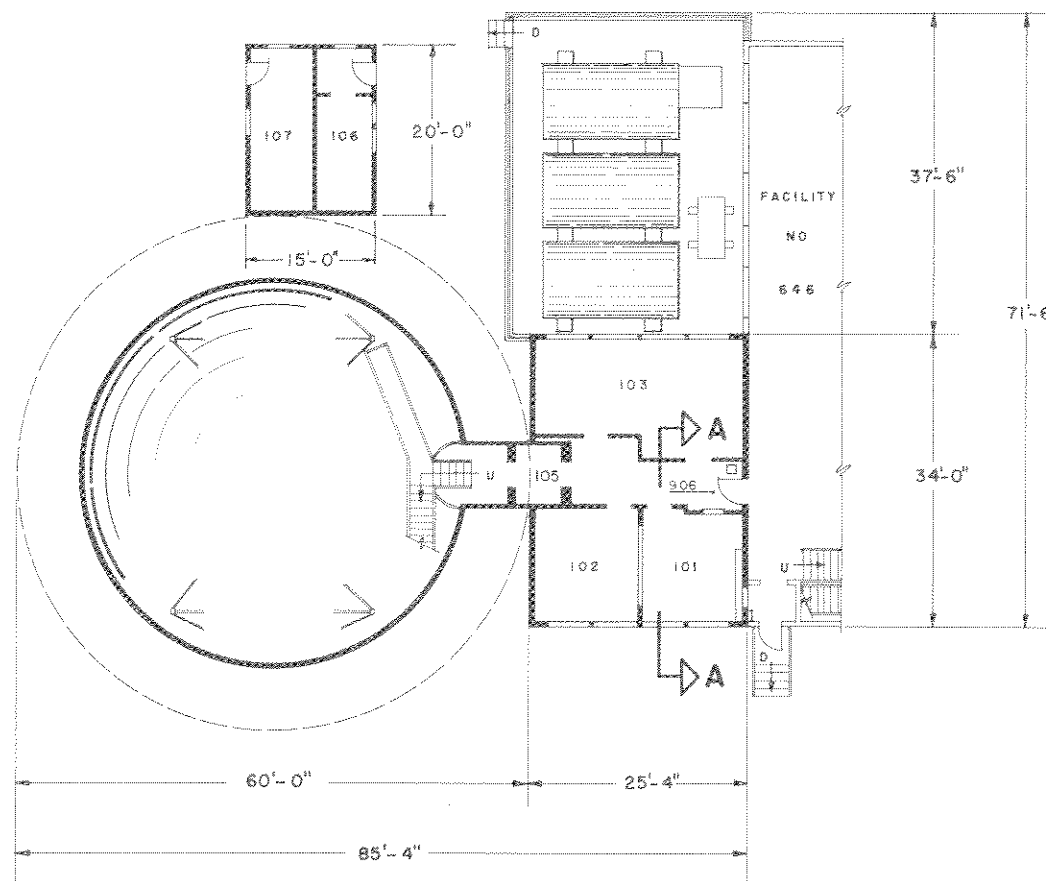
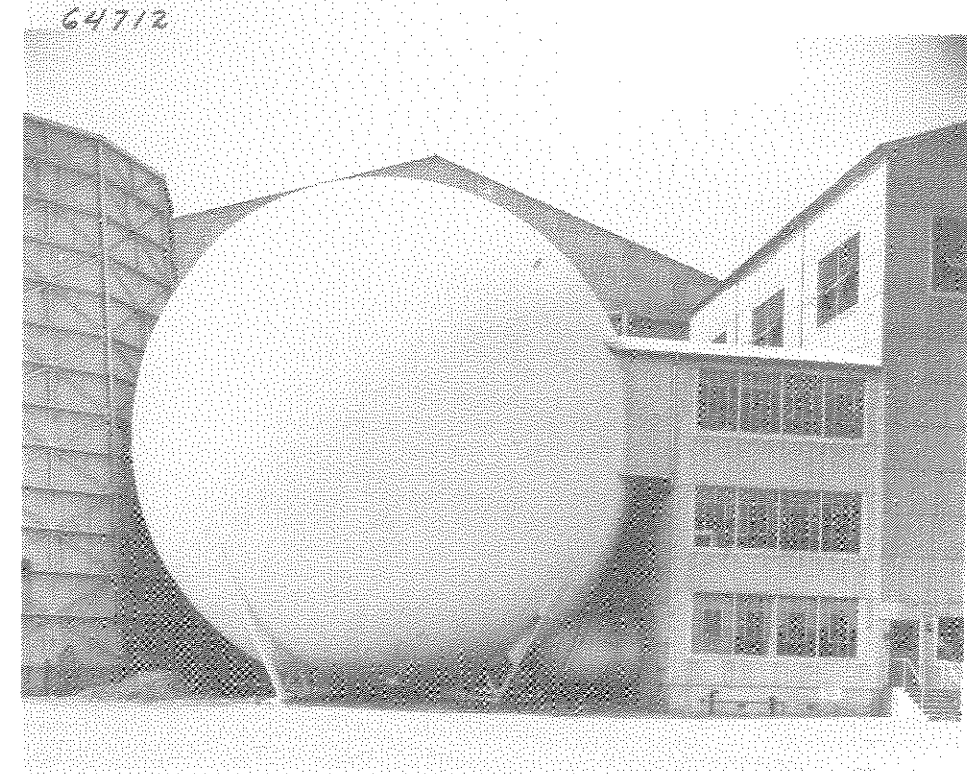


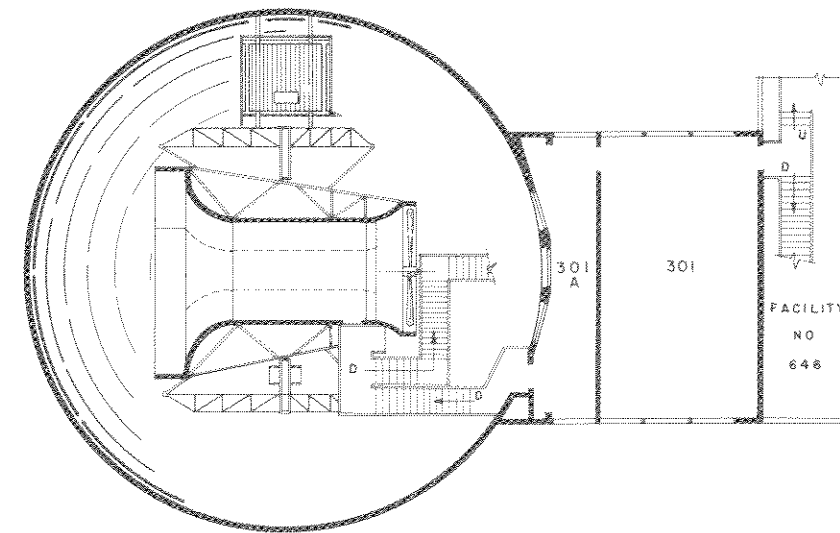
SECOND FLOOR PLAN
860 SQ. FT.



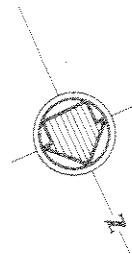
SECTION A-A



FIRST FLOOR PLAN
1,217 SQ. FT.



THIRD FLOOR PLAN
900 SQ. FT.



GRAPHIC SCALE — PLANS ONLY
10' 0" 10' 20' 30'

REVISED APRIL, 1970

ORIGINAL CONSTRUCTION MARCH 1939

LANGLEY RESEARCH CENTER	E
12-FOOT LOW-SPEED TUNNEL	
FACILITY NO. 644	