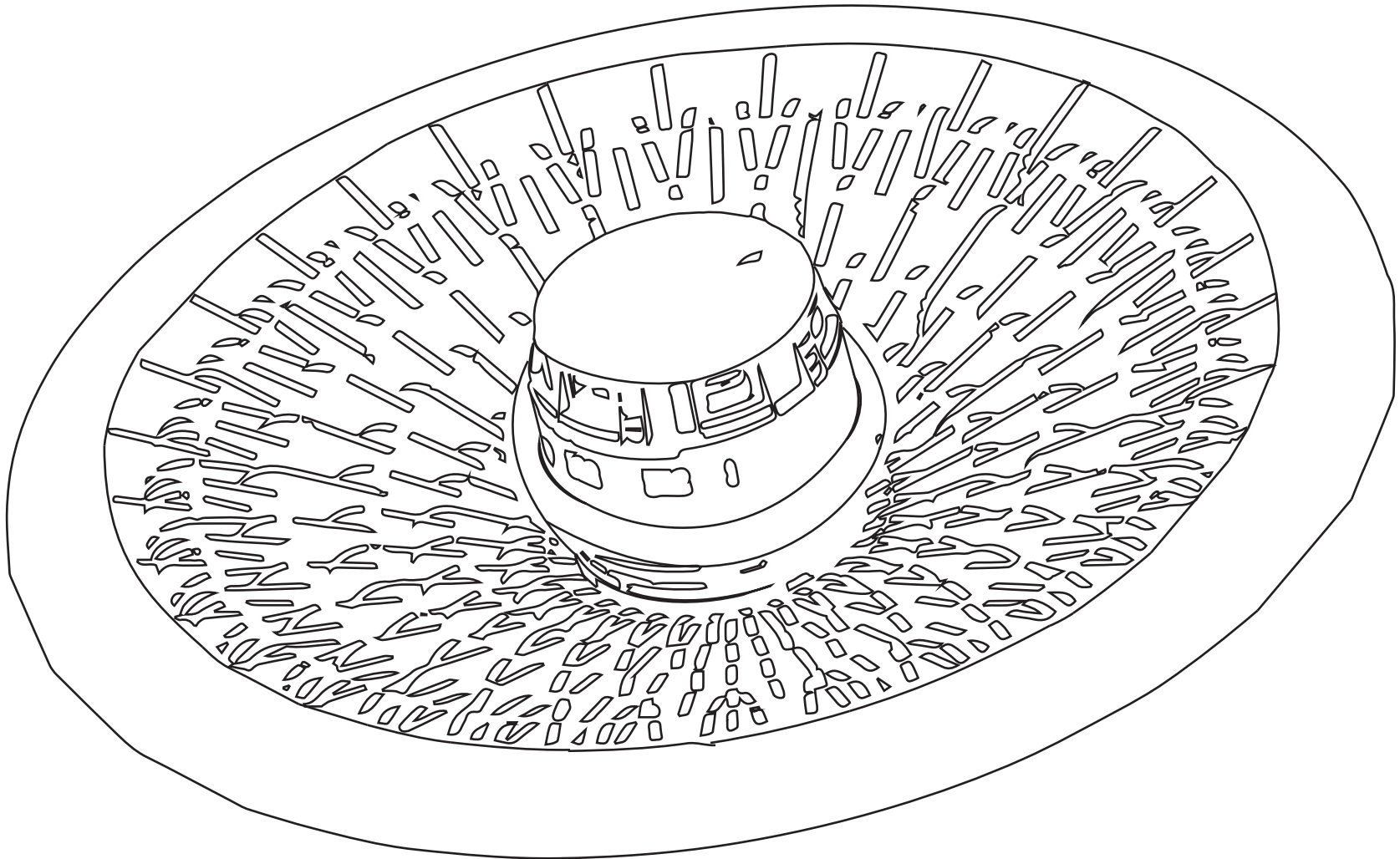




# Hypersonic Inflatable Aerodynamic Decelerator



## HIAD

The HIAD is an inflatable cone-shaped heatshield that was created to carry and protect a spacecraft from overheating as it flies through the atmosphere to the ground.

The heatshield is made from a special material that stops it from getting too hot, even as it shoots towards the planets surface at a very fast speed. HIAD can survive more than 2500 degrees Fahrenheit! Because it is not as heavy as other heatshields, it can also carry more supplies. To prepare for landing, the HIAD separates from the spacecraft and inflates. It then enters the atmosphere, carrying the supplies safely to the surface.