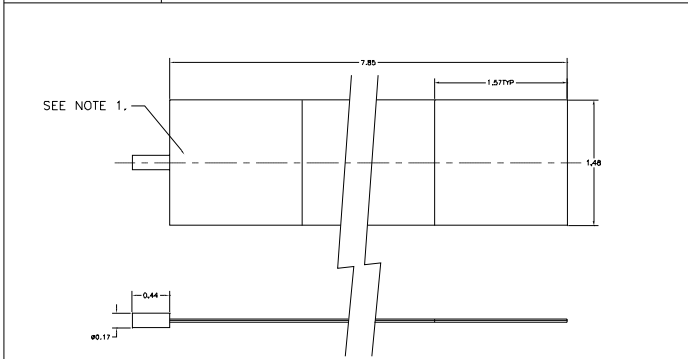


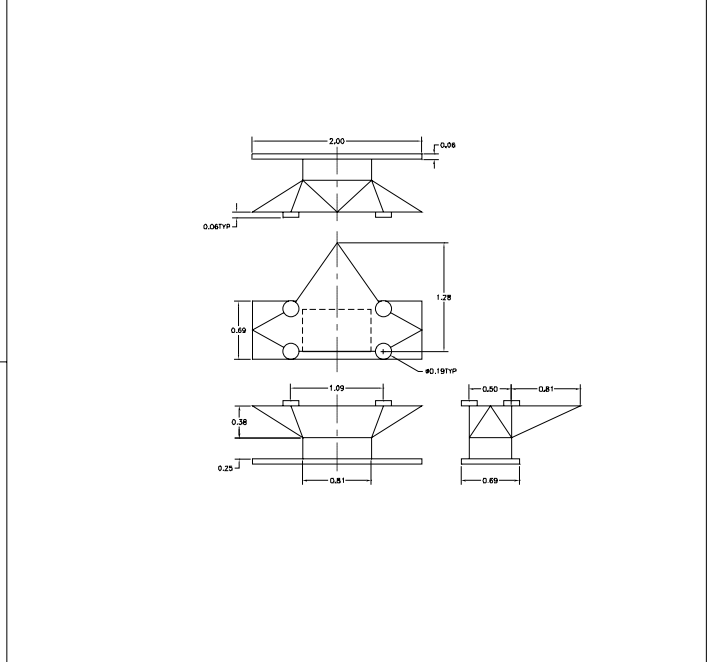
ITEM #23  
JEM EXPOSED FACILITY



ITEM #24  
SPP RADIATOR

NOTES:  
1. AT FULL SCALE SOLAR PANELS & RADIATORS ARE ONLY ABOUT ONE INCH THICK. IT IS IMPRACTICAL TO MAINTAIN TRUE SCALE. USE ANY THIN SHEET MATERIAL AVAILABLE.

REVISIONS			
REV	DESCRIPTION	DATE	APPROVED



ITEM #25  
MOBILE TRANSPORTER W/BASE

TITLE			
JEM EXPOSED FACILITY, SPP RADIATOR, MOBILE TRANSPORTER W/BASE.			
SIZE	ITEM NO.	DRAWING NO.	REV
B	23, 24, 25	9	
SCALE:	DRAWN BY:	SHEET	OF
1:100	PAUL N. KACZANOWSKI	9	12