

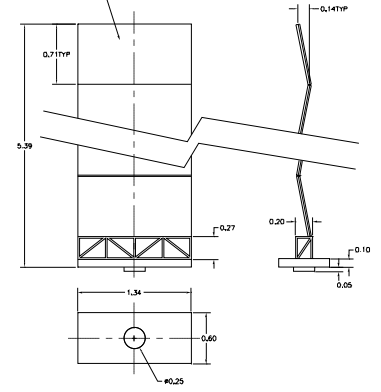
SEE NOTE 1.

ITEM #20 (8 REQUIRED)
PVA - U.S.

NOTES:
1. AT FULL SCALE SOLAR PANELS & RADIATORS
ARE ONLY ABOUT ONE INCH THICK, IT IS IMPRACTICAL
TO MAINTAIN TRUE SCALE. USE ANY THIN SHEET
MATERIAL AVAILABLE

REVISIONS			
REV	DESCRIPTION	DATE	APPROVED

SEE NOTE 1.



TITLE
PVA - U.S.,
RADIATOR (ELECTRICAL POWER SYSTEM)

SIZE	ITEM NO.	DRAWING NO.	REV
B	20, 21	7	
SCALE: 1:100	DESIGN BY: PAUL N. KACZMOWSKI	SHEET 7	OF 12

ITEM #21 (4 REQUIRED)
RADIATOR (ELECTRICAL POWER
SYSTEM)