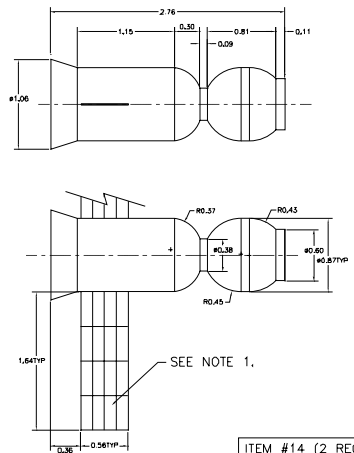
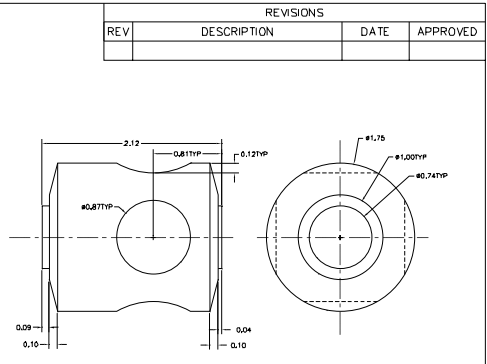


ITEM #13  
PROGRESS-M

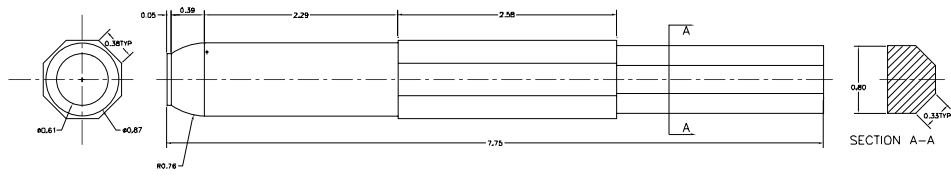


ITEM #14 (2 REQUIRED)  
SOYUZ-TM



ITEM #15 (2 REQUIRED)  
NODE

REVISIONS			
REV	DESCRIPTION	DATE	APPROVED



ITEM #16  
SPP CORE (DEPLOYED)

NOTES:  
1. AT FULL SCALE SOLAR PANELS & RADIATORS ARE ONLY ABOUT ONE INCH THICK. IT IS IMPRACTICAL TO MAINTAIN TRUE SCALE. USE ANY THIN SHEET MATERIAL AVAILABLE

TITLE PROGRESS, SOYUZ, NODE, SPP CORE			
SIZE B	ITEM NO. 13, 14, 15, 16	DRAWING NO. 5	REV
SCALE: 1:100	DRAWN BY: PAUL N. KACZMOWSKI	SHEET 5	OF 12