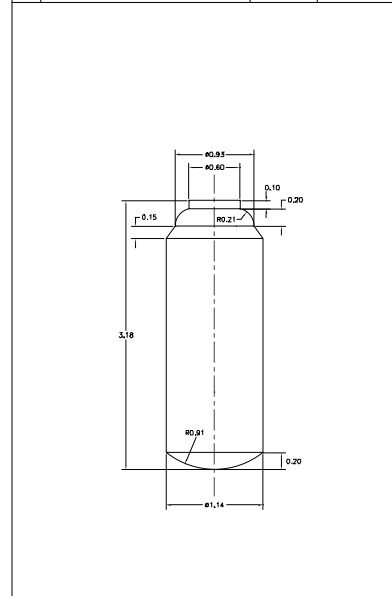


ITEM #11
SERVICE MODULE

NOTES:
1. AT FULL SCALE SOLAR PANELS & RADIATORS ARE ONLY ABOUT ONE INCH THICK, IT IS IMPRACTICAL TO MAINTAIN TRUE SCALE. USE ANY THIN SHEET MATERIAL AVAILABLE

REVISIONS			
REV	DESCRIPTION	DATE	APPROVED



ITEM #12 (3 REQUIRED)
RESEARCH MODULE,
DOCKING MODULE,
STORAGE MODULE.

TITLE
SERVICE MODULE,
RESEARCH, DOCKING & STORAGE MODULE

SIZE	ITEM NO.	DRAWING NO.	REV
B	11, 12	4	

SCALE: 1:100 DRAWN BY: PAUL N. KACZANDOSKI SHEET 4 OF 12