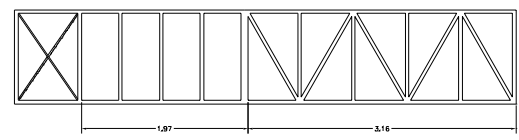
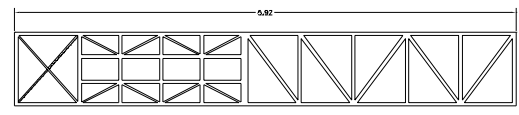
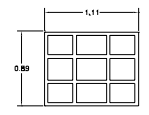
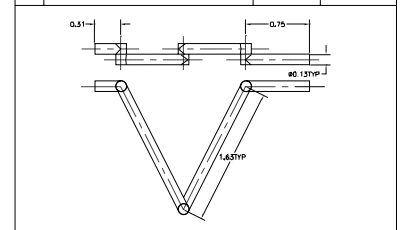


ITEM #26  
UDM (FGB)

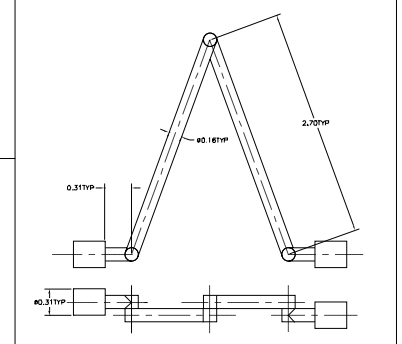


ITEM #29 (2 REQUIRED)  
S-5/6 - P-5/6 TRUSS

REVISIONS			
REV	DESCRIPTION	DATE	APPROVED



ITEM #27  
JEM ROBOT ARM



ITEM #28  
SSRMS ROBOT ARM

TITLE  
UDM (FGB), JEM ROBOT ARM, SSRMS  
ROBOT ARM, S-6/P-6 TRUSS.

SIZE	ITEM NO.	DRAWING NO.	REV
B	24, 25, 26	10	
SCALE: 1:100	DRAWN BY: PAA N. KACZANOWSKI	SHEET 10	OF 12